

Read entire instruction guide before starting installation.

**System Overview**

The phone security solution of MAX is well designed based on classical standalone display solutions. It adopts the most advanced technology and has reliable standard security. All its highlights create a wonderful consumer experience, increase sales and prevent theft.

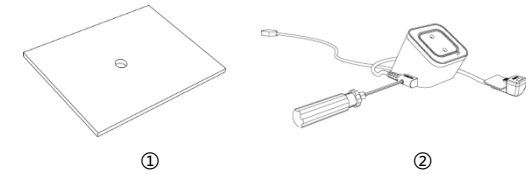
**Status**

1. System will be activate when connect to power source.
2. Turn off system: remove power supply and merchandise, disarm alarm by remote.
3. LED indicator: "Blue" is "on-guard" , "Red" is "alarming"

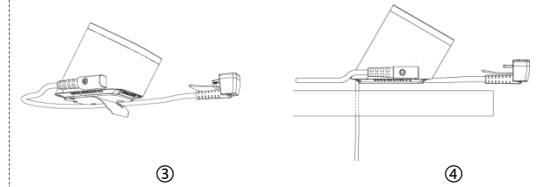
**System Components**

1. Stand with Power Cord
2. Charging Cable
3. Remote Control (optional)
4. Adapter (5.5V, 2A)
5. Bracket

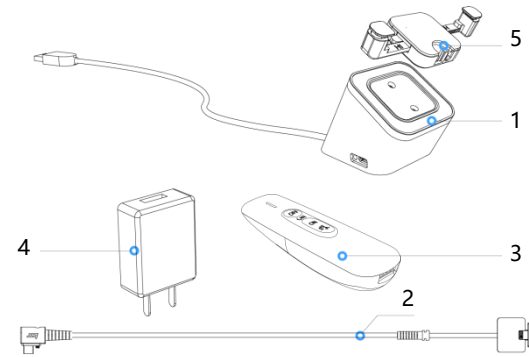
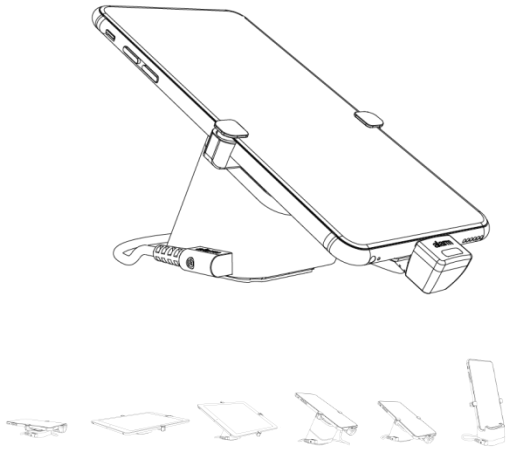
**INSTALLATION STEPS**



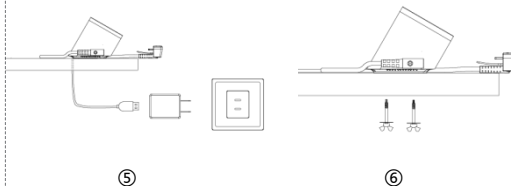
Drill a 20mm diameter hole in display counter (optional) and wipe it clean. Plug micro-USB connector of charging and alarming cable into alarming base port and tighten screws.



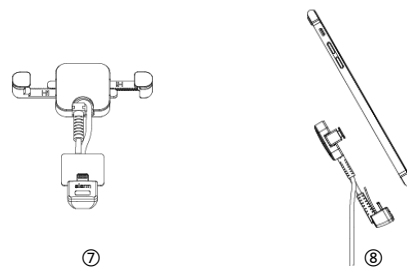
Remove clear film off 3M adhesive on alarming base. Slide power cable through display counter (optional). Press security stand firmly for at least 10 seconds.



**INSTALLATION STEPS**

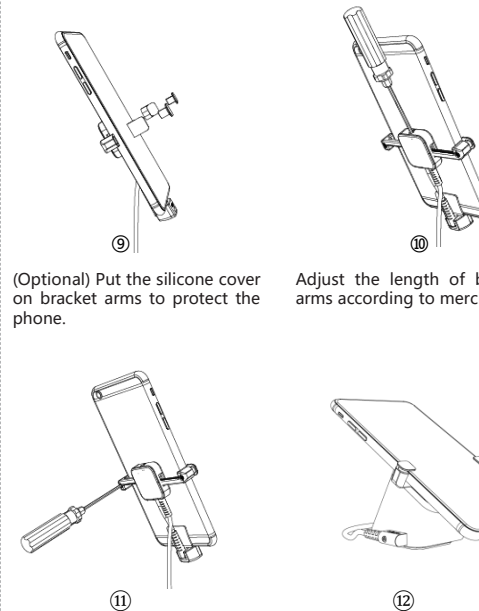


Plug adapter into power cable and outlet. (Optional) Tighten wingnuts below counter.



Measure a proper length for charging cable on merchandise and plug charging cable into the gap of bracket. Plug merchandise on charging connector; Remove clear film off 3M adhesive and center it on the back of merchandise.

**INSTALLATION STEPS**



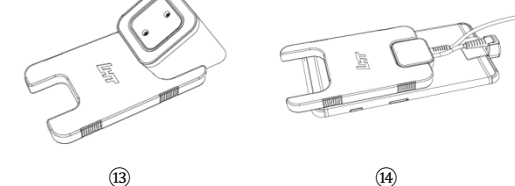
(Optional) Put the silicone cover on bracket arms to protect the phone.

Adjust the length of bracket's arms according to merchandise

Adjust the thickness of bracket's arms according to merchandise

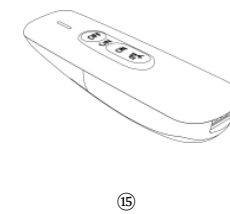
Installation finished!

**INSTALLATION STEPS**



(Optional) Plug the bigger gap of 3M adhesive remover into security base and turn 90° to remove 3M adhesive.

(Optional) Loosen screws and remove arms off holder; Plug smaller gap of 3M adhesive remover into bracket holder and turn 90° to remove 3M adhesive.



(Optional) Press on/off/mute key on remote control to disarm alarm